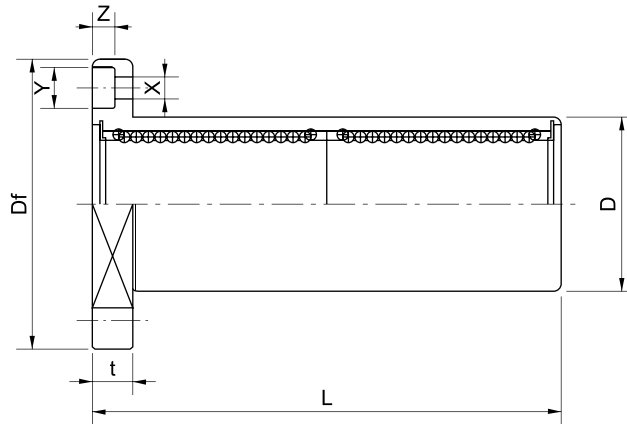


LMH...LUU尼龍保持架  
該類型尺寸是公制的，廣泛應用於亞洲和其他國家。

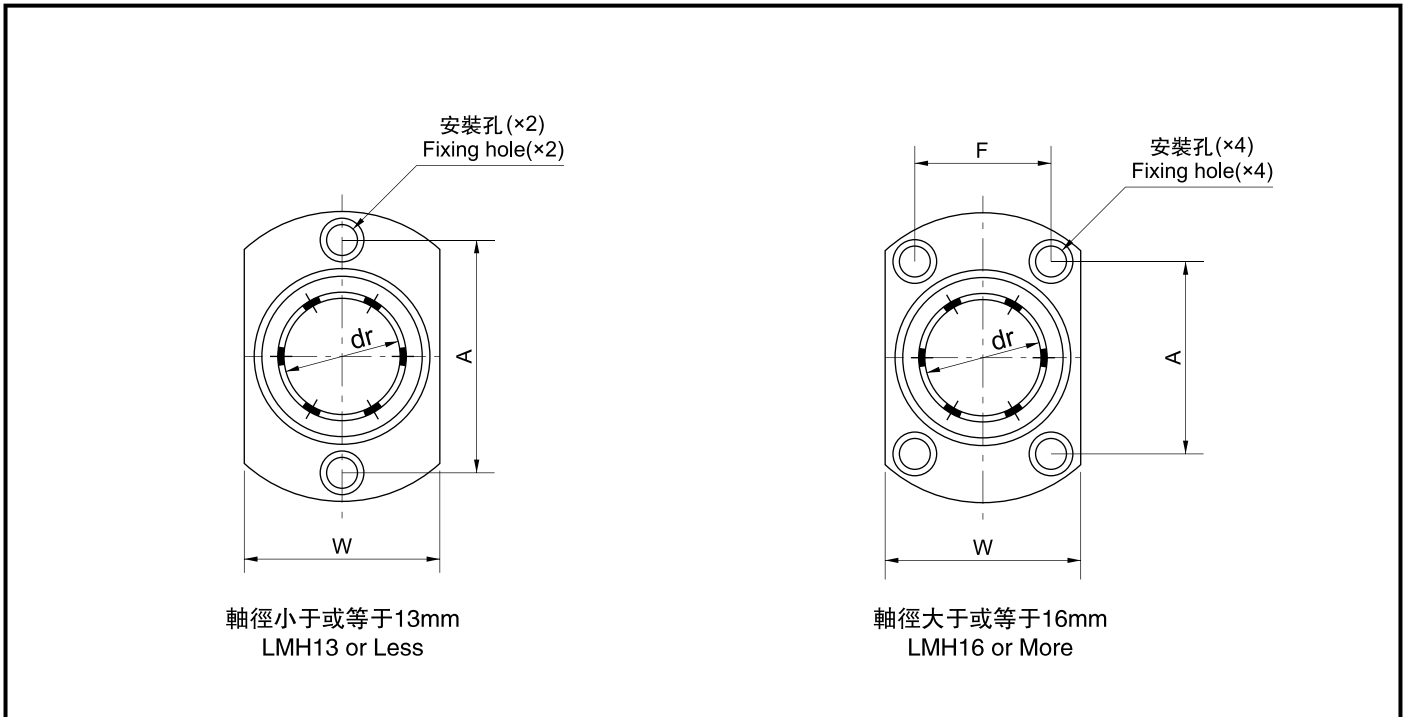
LMH...LUU (Resin retainer)  
This type is a metric dimension series  
widely used in Asia and other  
countries.



**LMH...LUU**

| 公稱軸徑<br>Nominal<br>shaft<br>diameter<br>mm | 加長橢圓法蘭<br>LMH...LUU | 重量<br>Weight<br>(gf) | 主要尺寸和公差 Major dimensions and tolerance |                       |    |                       |     |                       |
|--|---------------------|----------------------|--|-----------------------|----|-----------------------|-----|-----------------------|
|  |                     |                      | dr                                     |                       | D  |                       | L   |                       |
|  |                     |                      | mm                                     | 公差<br>Tolerance<br>μm | mm | 公差<br>Tolerance<br>μm | mm  | 公差<br>Tolerance<br>μm |
| 6  | LMH6LUU             | 28                   | 6                                      |                       | 12 | 0                     | 35  | ±300                  |
| 8  | LMH8LUU             | 47                   | 8                                      |                       | 15 | -13                   | 45  |                       |
| 10   | LMH10LUU            | 90                   | 10                                     | 0                     | 19 |                       | 55  |                       |
| 12   | LMH12LUU            | 102                  | 12                                     | -10                   | 21 | 0                     | 57  | 0                     |
| 13   | LMH13LUU            | 123                  | 13                                     |                       | 23 | -16                   | 61  |                       |
| 16   | LMH16LUU            | 182                  | 16                                     |                       | 28 |                       | 70  |                       |
| 20   | LMH20LUU            | 247                  | 20                                     |                       | 32 | 0                     | 80  | -300                  |
| 25   | LMH25LUU            | 525                  | 25                                     | 0                     | 40 |                       | 112 |                       |
| 30   | LMH30LUU            | 645                  | 30                                     | -12                   | 45 | -19                   | 123 |                       |

注：所有LMH...L型均為雙密封。  
Note: All sizes of LMH...L type are sealed on both sides.



| 主要尺寸和公差 Major dimensions and tolerance |         |         |         |         |         |         |         | 偏心<br>Eccentricity<br>μ m | 垂直度<br>Squareness<br>μ m | 額定負荷<br>Basic load rating |                       |
|--|---------|---------|---------|---------|---------|---------|---------|---------------------------|--------------------------|---------------------------|-----------------------|
| 法蘭 Flange                              |         |         |         |         |         |         |         |                           |                          | 動負荷<br>Dynamic<br>C N     | 靜負荷<br>Static<br>Co N |
| Df<br>mm                               | W<br>mm | t<br>mm | A<br>mm | F<br>mm | X<br>mm | Y<br>mm | Z<br>mm |                           |                          |                           |                       |
| 28                                     | 18      | 5       | 20      | -       | 3.5     | 6       | 3.1     | 15                        | 15                       | 323                       | 529                   |
| 32                                     | 21      | 5       | 24      | -       | 3.5     | 6       | 3.1     |                           |                          | 431                       | 784                   |
| 40                                     | 25      | 6       | 29      | -       | 4.5     | 7.5     | 4.1     |                           |                          | 588                       | 1,100                 |
| 42                                     | 27      | 6       | 32      | -       | 4.5     | 7.5     | 4.1     |                           |                          | 813                       | 1,570                 |
| 43                                     | 29      | 6       | 33      | -       | 4.5     | 7.5     | 4.1     |                           |                          | 813                       | 1,570                 |
| 48                                     | 34      | 6       | 31      | 22      | 4.5     | 7.5     | 4.1     | 20                        | 20                       | 1,230                     | 2,350                 |
| 54                                     | 38      | 8       | 36      | 24      | 5.5     | 9       | 5.1     |                           |                          | 1,400                     | 2,740                 |
| 62                                     | 46      | 8       | 40      | 32      | 5.5     | 9       | 5.1     |                           |                          | 1,560                     | 3,140                 |
| 74                                     | 51      | 10      | 49      | 35      | 6.6     | 11      | 6.1     |                           |                          | 2,490                     | 5,490                 |

國際單位: 1N≈0.102kgf  
SIUNIT: 1N≈0.102kgf